



Standard locking bar profiles

A strong range

As a leading manufacturer of all types of sheet pile locking bar profiles, we will always find the optimal solution for you – by implementing our decades of experience in hot rolling technology and developing new ideas to suit your requirements.

Our expertise in making special profiles from steel – acquired through decades of experience – enables us to provide a broad spectrum of products as well as to design and manufacture locking bar profiles to suit your specific requirements. Our hot-rolled sheet pile locking bar profiles provide the ideal connection wherever a sheet pile is used with a Larssen interlock. We provide solutions for many different areas – from rectangular and curved applications to solutions for transitions.

Your need, our solution

We work together with you to help find new solutions to your new requirements. This can involve developing innovative geometrics, unusual material properties and seemingly impossible shapes. Our approach is to collaborate with you to find a solution. For us it is not a question of “your” individual need and specific application or “your” actual problem. For us, your problem is our problem – and we solve it together. At our development centre we focus exclusively on the design of new profiles as well as the optimisation of existing ones.

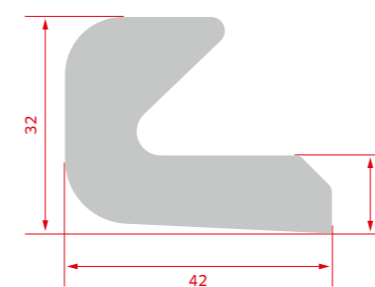
Certified quality

Our quality management is certified in accordance with ISO 9001. It ensures that we supply products of consistently high quality and comply with our customers' requirements. Furthermore, we take our responsibility for the environment and climate very seriously and are certified in accordance with ISO 14001 and ISO 50001.

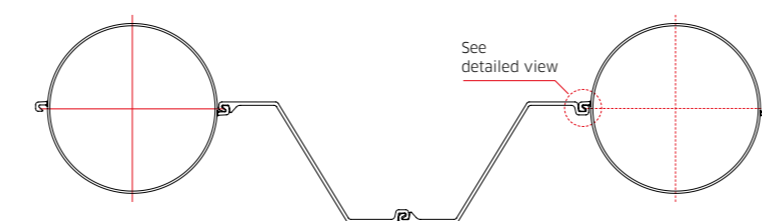
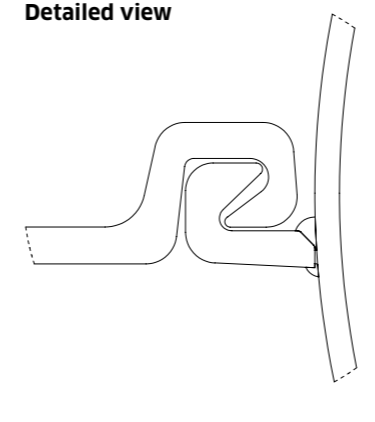
LOCKING BAR PROFILE

E21

Area of application	Weld-on for corner joints and for pipes/combined walls for sheet piles with a Larssen interlock
Standard lengths	8,400mm 12,000mm Standard lengths available from stock
Max. length	13,000mm
Length tolerance	+/- 200mm
Weight	6.27 kg/m
Steel grades	S355GP, other steel grades possible



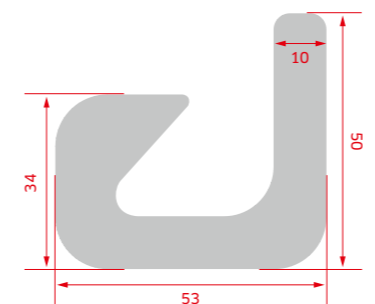
Detailed view



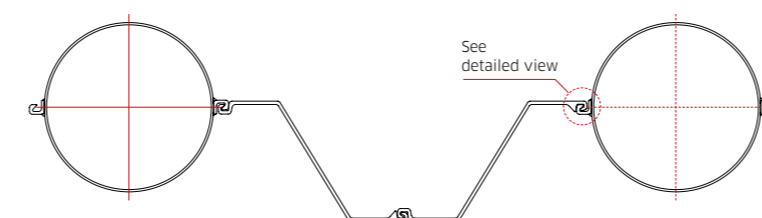
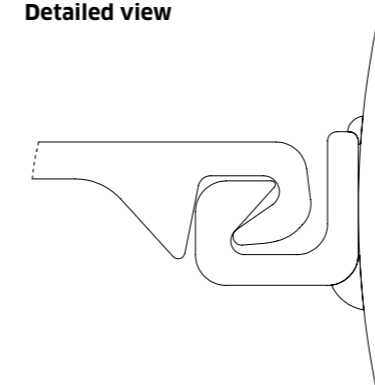
LOCKING BAR PROFILE

E22

Area of application	Weld-on for corner joints and for pipes/combined walls for sheet piles with a Larssen interlock
Standard lengths	12,000 mm 14,000 mm 18,000 mm Standard lengths available from stock
Max. length	18,000mm
Length tolerance	+/- 200 mm
Weight	10.22 kg/m
Steel grades	S355GP, other steel grades possible



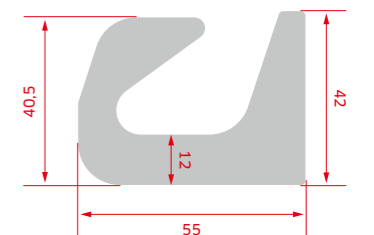
Detailed view



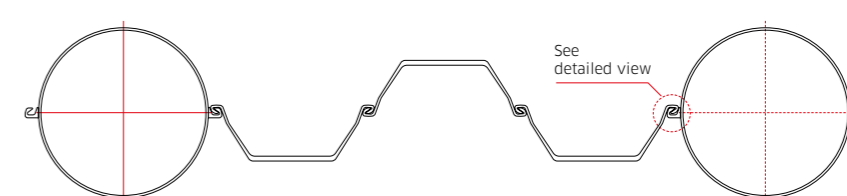
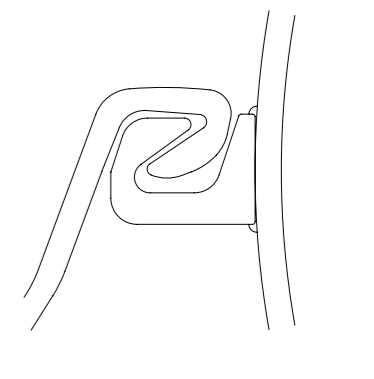
LOCKING BAR PROFILE

A22

Area of application	Weld-on for corner joints and for pipes/combined walls for II-W, III-W, IV-W and 5L sheet pile types
Standard lengths	12,000mm 14,000mm 18,000mm Standard lengths available from stock
Max. length	18,000mm
Length tolerance	+/- 200mm
Weight	10.97 kg/m
Steel grades	JIS S35C, other steel grades possible



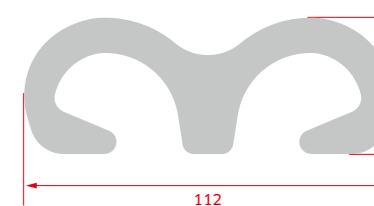
Detailed view



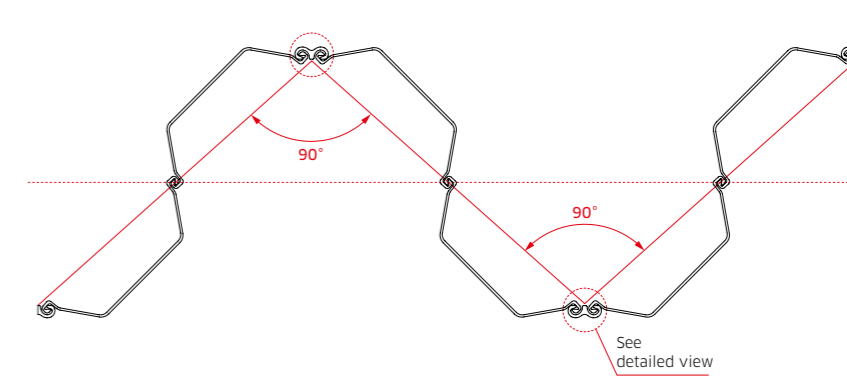
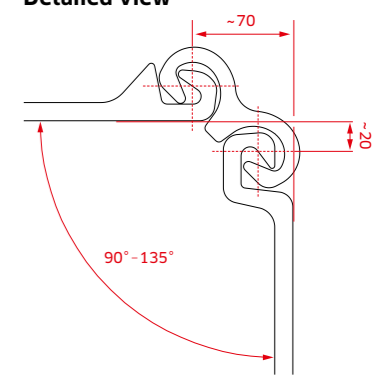
LOCKING BAR PROFILE

OMEGA

Area of application	Weld-on for corner joints and for pipes/combined walls for sheet piles with a Larssen interlock
	Jagged U-walls
Standard lengths	12,000mm 14,000mm 18,000mm Standard lengths available from stock
Max. length	24,000mm
Length tolerance	+/- 200mm
Weight	17.33 kg/m
Steel grades	S355GP, other steel grades possible



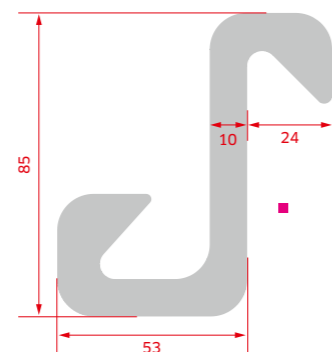
Detailed view



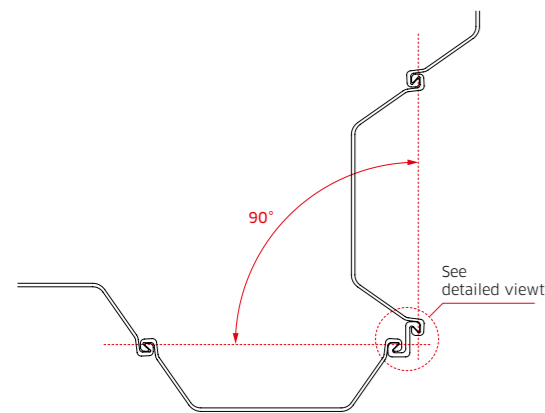
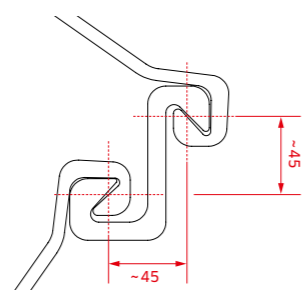
LOCKING BAR PROFILE

E20

Area of application	Weld-on for corner joints and for pipes/combined walls for sheet piles with a Larssen interlock
Standard lengths	12,000 mm 14,000 mm 18,000 mm Standard lengths available from stock
Max. length	24,000 mm
Length tolerance	+/- 200 mm
Weight	15.38 kg/m
Steel grades	S355GP, other steel grades possible



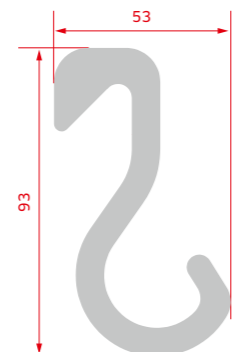
Detailed view



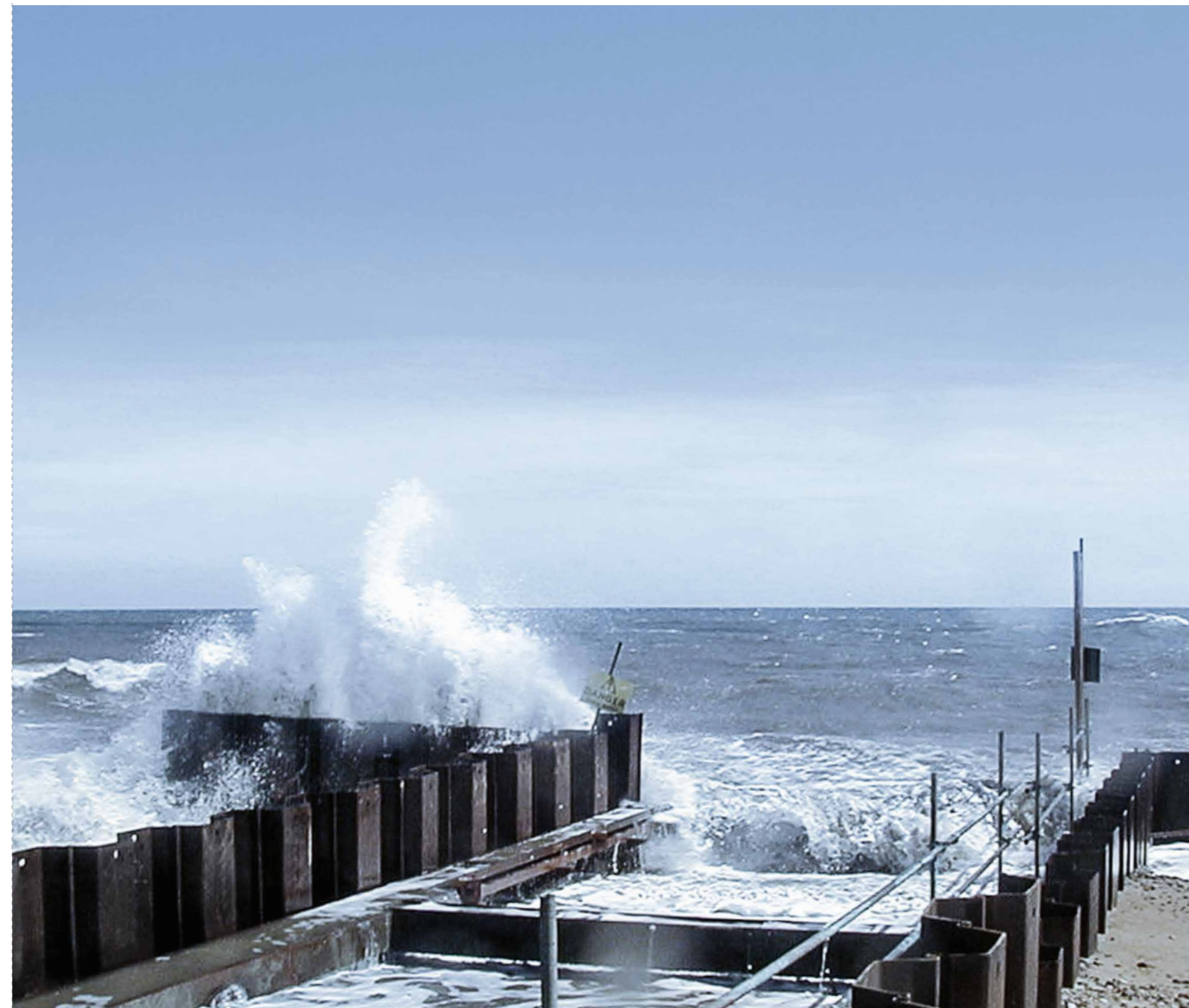
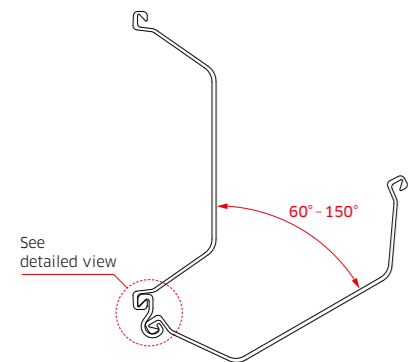
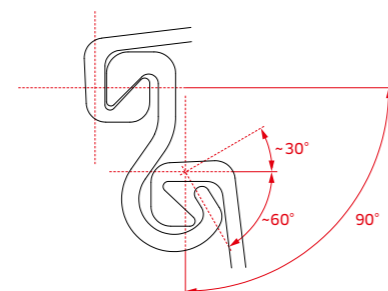
LOCKING BAR PROFILE

E20 XL

Area of application	Weld-on for corner joints and for pipes/combined walls for sheet piles with a Larssen interlock
Standard lengths	12,000 mm 14,000 mm 18,000 mm Standard lengths available from stock
Max. length	24,000 mm
Length tolerance	+/- 200 mm
Weight	11.73 kg/m
Steel grades	S355GP, other steel grades possible



Detailed view



Sheet pile locking bar profiles

Manifold uses for all types of sheet piling applications.

Mannstaedt GmbH
Mendener Straße 51
53840 Troisdorf | Germany
T +49 (0)2241 84-0
F +49 (0)2241 84-2735
www.mannstaedt.de

GMH Gruppe
www.gmh-gruppe.de